

# HS-XVR4101-L5

Hybrid Video Recorder



Network  
Cameras

NVRs

AHD  
Series

Video  
Decoders

Switches

Accessories

## قابلیت های کلیدی

- یک عدد HDMI و یک عدد VGA
- پشتیبانی از 1 عدد هارد تا ظرفیت 8 ترابایت
- قابلیت بروزرسانی آنلاین

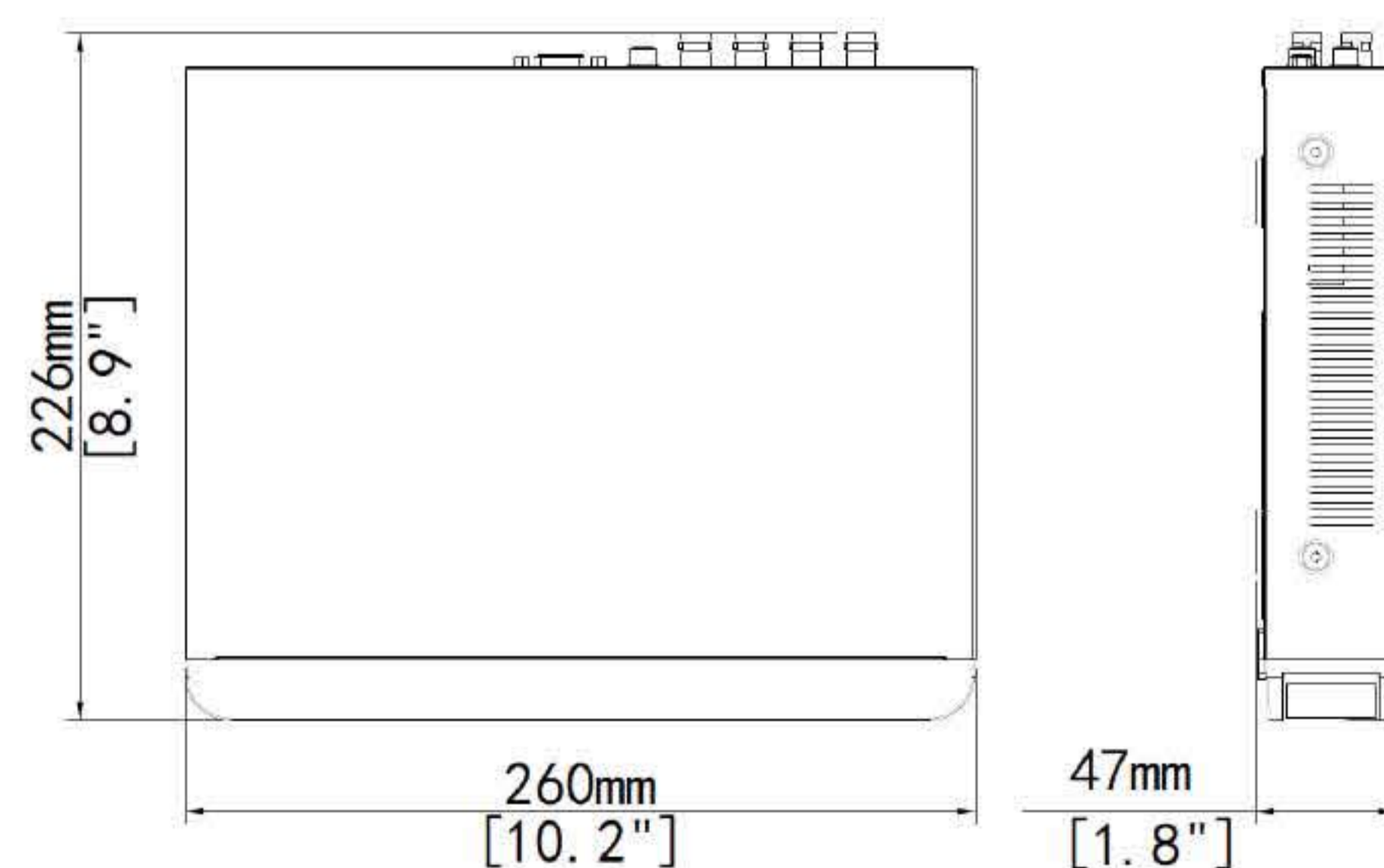
- پشتیبانی از سیگنال های تصویر TVI, AHD, CVI, CVBS, IP
- 4 کانال ورودی آنالوگ تا رزولوشن 5 مگاپیکسل
- 2 کانال IP تا رزولوشن 4 مگاپیکسل (تا 6 کانال فقط IP)
- پشتیبانی از دوربین های با پروتکل ONVIF

## Specifications

Analog Video Input	4-ch, BNC
IP Video Input	2-ch(only IP up to 6ch), each channel up to 4MP
Supported Analog Camera Types	Support AHD input: 5MP@20fps 4MP@30fps 1080P@30fps 720P@60fps Support TVI input: 5MP@20fps 4MP@30fps 1080P@30fps 720P@60fps Support CVI input: 5MP@20fps 4MP@30fps 1080P@30fps 720P@30fps Support CVBS input
Audio Input	1-ch, RCA
Audio Compression	6.711U
VGA Output	1920x1080p/60Hz, 1920x1080p/50Hz, 1600x1200/60Hz, 1280x1024/60Hz, 1280x720/60Hz, 1024x768/60Hz
HDMI Output	1920x1080p/60Hz, 1920x1080p/50Hz, 1600x1200/60Hz, 1280x1024/60Hz, 1280x720/60Hz, 1024x768/60Hz
Audio Output	1-ch, RCA
Synchronous Playback	HD:2-ch SD:4-ch
Live view display	HDMI/VGA: 1/4/6/8/9
Two-way Audio	1-ch, RCA
Incoming Bandwidth	16Mbps (Up to 24Mbps after all analog channel conversion)

Outgoing Bandwidth	48Mbps
Remote Users	128
Protocols	TCP/IP, P2P, UPnP, DHCP, HTTP, HTTPS, DNS, DDNS, SMTP
Recording Resolution	5MP Lite/4MP Lite/1080P/720P/CIF
Recording Frame Rate	Main stream: 5MP Lite@12fps 4MP Lite@15fps 1080P@15fps 720P@25fps Sub stream: D1@12fps D1@15fps D1@15fps D1@25fps
Audio Sample Rate	8KHz, 16 bit per channel
Audio Bit Rate	64Kbps per channel
Capability	Analog: 2 x 5MP Lite@12, 2 x 4MP Lite @15, 2 x 1080P@15 IP: 1 x 4MP@30, 2 x 1080P@30
SATA	1 SATA interface
Capacity	Up to 8TB for each HDD (The maximum HDD capacity varies with environment temperature)
General Alarm	Motion detection
Alert Alarm	IP Conflict, Network Disconnected, Disk offline, Disk Abnormal, Illegal Access, Hard Disk Space Low, Hard Disk Full, Recording/Snapshot Abnormal
Network Interface	1 RJ45 10M/100M self-adaptive Ethernet Interface
USB Interface	Rear panel: 2 x USB2.0
Power Supply	12V DC Power Consumption: ≤ 8 W( without HDD )
Working Environment	-10°C ~ + 55°C ( +14°F ~ +131°F ), Humidity ≤ 90% RH(non-condensing)
Dimensions(W×D×H)	260mm × 226mm × 47mm (10.2" × 8.9" × 1.8")
Weight ( without HDD )	≤ 1.1 Kg ( 2.42lb )

## Dimensions



## Rear Panel

