

## HS-XVR8101-L5

Hybrid Video Recorder



### قابلیت های کلیدی

- یک عدد HDMI و یک عدد VGA
- پشتیبانی از 1 عدد هارد تا ظرفیت 8 ترابایت
- قابلیت بروزرسانی آنلاین

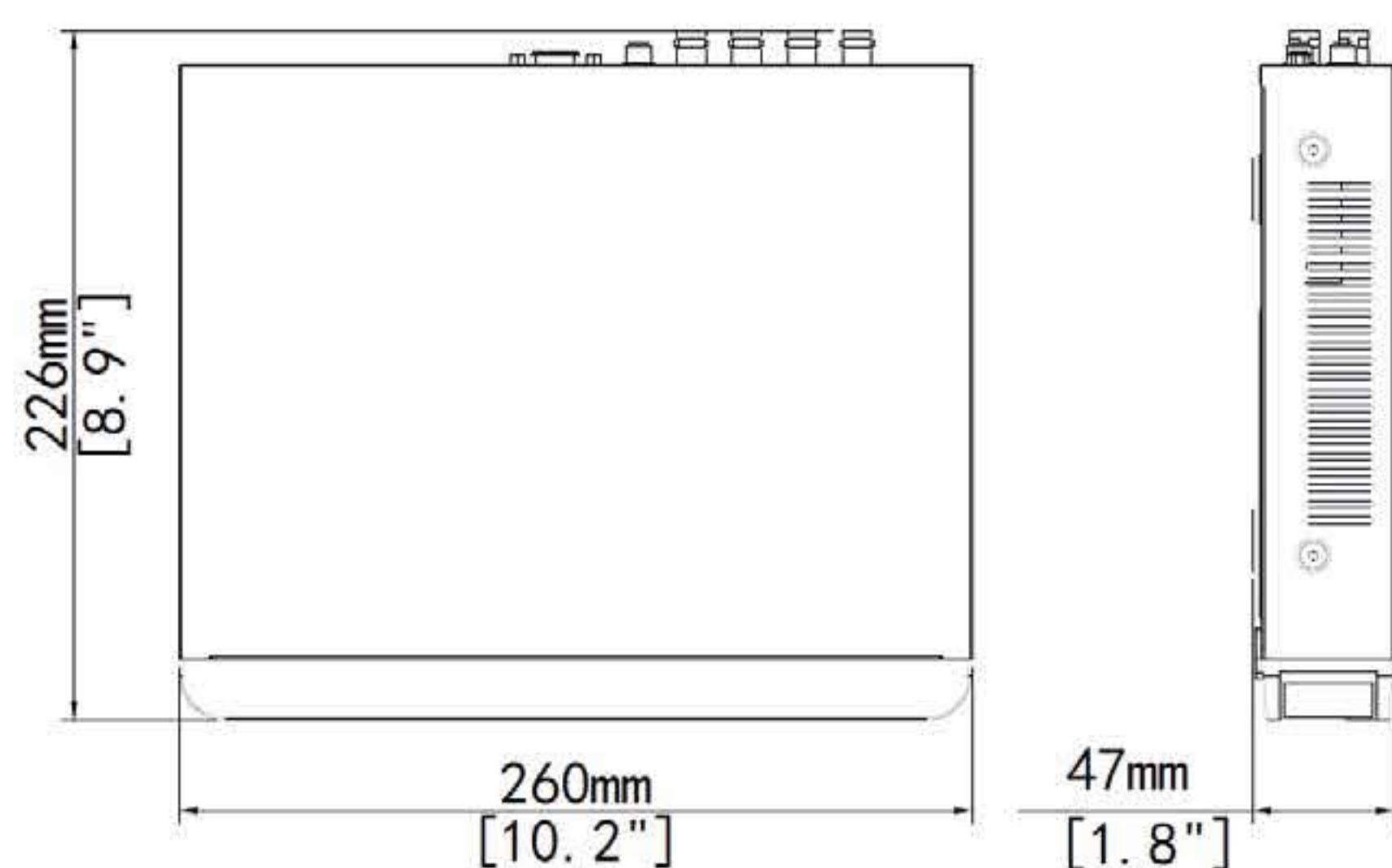
- پشتیبانی از سیگنال های تصویر TVI, AHD, CVI, CVBS, IP
- 8 کانال ورودی آنالوگ تا رزولوشن 5 مگاپیکسل
- 4 کانال IP تا رزولوشن 4 مگاپیکسل (تا 8 کانال فقط IP)
- پشتیبانی از دوربین های با پروتکل ONVIF

### Specifications

Analog Video Input	8-ch, BNC
IP Video Input	4-ch(only IP up to 8ch), each channel up to 4MP
Analog Camera Types	Support AHD input: 5MP@12fps 4MP@15fps 1080P@30fps 720P@30fps Support TVI input: 5MP@12fps 4MP@15fps 1080P@30fps 720P@30fps Support CVI input: 1080P@30fps 720P@30fps Support CVBS input
Audio Input	1-ch, RCA
Audio Compression	G.711U
VGA Output	1920x1080p/60Hz, 1920x1080p/50Hz, 1600x60/1200Hz, 1280x60/1024Hz, 1280x60/720Hz, 1024x60/768Hz
HDMI Output	1920x1080p/60Hz, 1920x1080p/50Hz, 1600x60/1200Hz, 1280x60/1024Hz, 1280x60/720Hz, 1024x60/768Hz
Audio Output	1-ch, RCA
Synchronous Playback	HD:4-ch SD:8-ch
Live view display	HDMI/VGA: 16/9/8/6/4/1
Two-way Audio	1-ch, RCA

Incoming Bandwidth	32Mbps (Up to 40Mbps after all analog channel conversion)	
Outgoing Bandwidth	64Mbps	
Remote Users	128	
Protocols	TCP/IP, P2P, UPnP, DHCP, HTTP, HTTPS, DNS, DDNS, SMTP	
Recording Resolution	5MP Lite/4MP Lite /1080P/1080P Lite /720P/CIF	
Recording Frame Rate	Main stream:	Sub stream:
	5MP Lite@12fps	D12@1fps
	4MP Lite@15fps	D15@1fps
	1080P@15fps	D15@1fps
	720P@25fps	D25@1fps
Audio Sample Rate	8KHz, 16 bit per channel	
Audio Bit Rate	64Kbps per channel	
Capability	Analog: 4 x 5MP Lite@6, 4x 4MP Lite@4, 8x 1080P Lite @12fps IP: 1 x 4MP@2, 30 x 1080P@30	
SATA	1 SATA interface	
Capacity	Up to 8TB for each HDD (The maximum HDD capacity varies with environment temperature)	
General Alarm	Motion detection	
Alert Alarm	IP Conflict, Network Disconnected, Disk offline, Disk Abnormal, Illegal Access, Hard Disk Space Low, Hard Disk Full, Recording/Snapshot Abnormal	
Network Interface	1 RJ45 10M/100M self-adaptive Ethernet Interface	
USB Interface	Rear panel: 2 x USB2.0	
Power Supply	12V DC Power Consumption: ≤ 8 W (without HDD)	
Working Environment	-10°C ~ + 55°C ( +14°F ~ +131°F ), Humidity ≤ 90% RH(non-condensing)	
Dimensions(W×D×H)	260mm ×226mm× 47mm (10.2" × 8.9"×1.8")	
Weight ( without HDD )	≤1.1 Kg ( 2.42lb )	

### Dimensions



### Rear Panel

