

## DS-2CE56D0T-IT1 HD 1080p Turret Camera



### Key Features

- 2 megapixel high-performance CMOS
- Analog HD output, up to 1080p resolution
- True Day/Night
- EXIR2.0, smart IR, up to 20m IR distance
- IP66 weatherproof



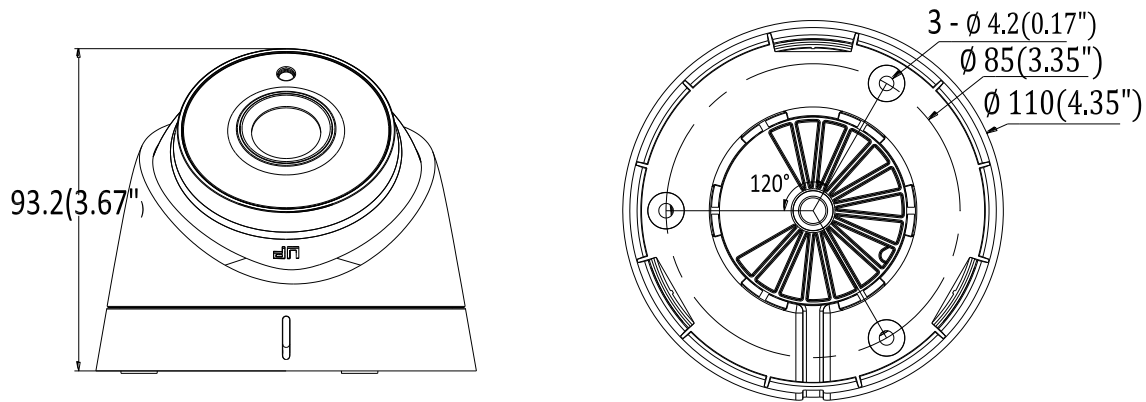
## Specifications

| <b>Camera</b>            |  |
|--------------------------|--|
| Image Sensor             | 2MP CMOS Image Sensor  |
| Signal System            | PAL/NTSC   |
| Frame Rate               | PAL: 1080p@25fps<br>NTSC: 1080p@30fps                                    |
| Resolution               | 1920 (H) × 1080 (V)  |
| Min. illumination        | 0.01 Lux @(F1.2, AGC ON), 0 Lux with IR                                  |
| Shutter Time             | 1/25 (1/30) s to 1/50,000 s  |
| Lens                     | 2.8 mm, 3.6 mm, 6 mm fixed lens  |
| Horizontal Field of View | 103 ° (2.8 mm), 82.2 ° (3.6 mm), 54 ° (6 mm)                             |
| Lens Mount               | M12  |
| Day & Night              | IR cut filter  |
| Angle Adjustment         | Pan: 0 to 360°, Tilt: 0 to 75°, Rotation: 0 to 360°                      |
| Synchronization          | Internal synchronization   |
| <b>Menu</b>              |  |
| AGC                      | Low/middle/high  |
| Day/Night Mode           | Smart/color/BW(Black and White)  |
| Backlight Compensation   | Yes  |
| DWDR                     | Yes  |
| Language                 | English, Chinese   |
| Functions                | Brightness, Sharpness, DNR, Mirror                                       |
| <b>Interface</b>         |  |
| Video Output             | 1 HD analog output   |
| <b>General</b>           |  |
| Operating Conditions     | -20 °C to 45 °C (-4 °F to 113 °F), Humidity 90% or less (non-condensing) |
| Power Supply             | 12 VDC±15%   |
| Power Consumption        | Max. 4 W   |
| Ingress Protection       | IP66   |
| Material                 | Plastic  |
| IR Range                 | Up to 20 m   |
| Dimension                | Φ 110 mm × 93.2 mm(Φ 4.33 " × 3.67 ")                                    |
| Weight                   | Approx. 350 g (0.77 lb.)   |

## Order Models

DS-2CE56D0T-IT1

## Dimensions



## Accessories



DS-1272ZJ-110-TRS  
Wall Mount



DS-1275ZJ-SUS  
Vertical Pole Mount



DS-1276ZJ-SUS  
Corner Mount



DS-1H18  
Video Balun



DS-1280ZJ-S  
Junction box



DS-1281ZJ-S  
Inclined Ceiling Mount

Distributed by



### Headquarters

No.555 Qianmo Road, Binjiang District,  
Hangzhou 310051, China  
T +86-571-8807-5998  
overseasbusiness@hikvision.com

### Hikvision Poland

T +48-22-460-01-50  
poland@hikvision.com

### Hikvision USA

T +1-909-895-0400  
sales.usa@hikvision.com

### Hikvision India

T +91-22-28469900  
sales@pramahikvision.com

### Hikvision UK

T +44-1628-9021-4  
support.uk@hikvision.com

### Hikvision Europe

T +31-23-5542770  
saleseuro@hikvision.com

### Hikvision Italy

T +39-0438-6902  
info.it@hikvision.com

### Hikvision Singapore

T +65-6684-4718  
sg@hikvision.com

### Hikvision Middle East

T +971-4-8816086  
salesme@hikvision.com

### Hikvision France

T +33(0)1-85-330-444  
info.fr@hikvision.com

### Hikvision Oceania

T +61-2-8599-4233  
salesau@hikvision.com

### Hikvision Russia

T +7-495-669-67-99  
saleru@hikvision.com

### Hikvision Spain

T +34-91-737-16-55  
info.es@hikvision.com

### Hikvision Hong Kong

T +852-2151-1761