

IPC-P1A2W-I50S

2MP VF Network IR Bullet Camera



- قابلیت روز و شب
- IR هوشمند تا 50 متر
- کاهنده نویز دیجیتال 3D
- WDR 120 دسیبل

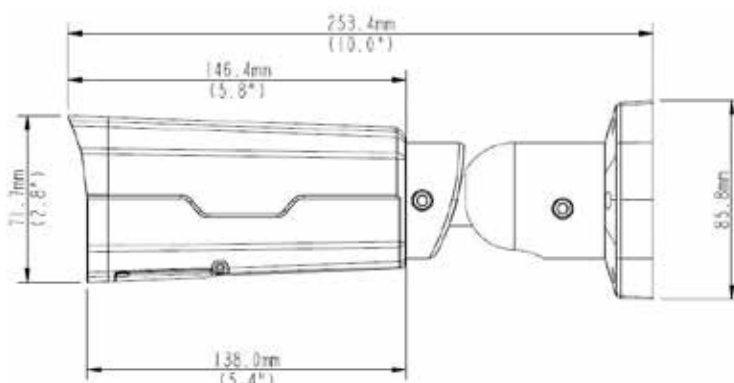
- Ultra 256, H.265, H.264, MJPEG
- پشتیبانی از 3 استریم تصویر
- پشتیبانی از ROI
- پشتیبانی از حالت راهرو 9:16

- ### قابلیت های کلیدی
- پشتیبانی از پروتکل ONVIF
 - پشتیبانی از POE
 - دمای کارکرد -35 تا +60 درجه سانتیگراد
 - مقاومت در برابر نفوذ آب و گرد و غبار IP67
 - پایه قابل تنظیم 3 حالت

Specifications

| | | | | | | | |
|-------------------------|--|------------|----------------|---------------|-------------------|------------------|--|
| Sensor | 1/2.8", 2.0megapixel, progressive scan, CMOS | | | | | OSD | Up to 8 OSDs |
| Lens | 2.8-12mm, AF automatic focusing and motorized zoom lens | | | | | Privacy Mask | Up to 8 areas |
| DORI Distance | Lens (mm) | Detect (m) | Observe (m) | Recognize (m) | Identify (m) | ROI | Up to 8 areas |
| | 2.8 | 45 | 18 | 9 | 4.5 | Motion Detection | Up to 4 areas |
| Angle of View (H) | 12 | 192.9 | 77.1 | 38.6 | 19.3 | Smart Features | Audio detection, Cross line, intrusion, object left, object removed, People Counting, Face Capture |
| | 94.0° ~ 28° | | | | | | |
| Angle of View (V) | 56.7°~14.4° | | | | | | |
| Angle of View (D) | 122.2°~34.4° | | | | | | |
| Adjustment angle | Pan: 0° ~ 360° | | Tilt: 0° ~ 90° | | Rotate: 0° ~ 360° | | |
| Shutter | Auto/Manual, 1~ 1/1000000s | | | | | | |
| Minimum Illumination | Colour: 0.002Lux (F1.6, AGC ON) 0Lux with IR on | | | | | | |
| Day/Night | IR-cut filter with auto switch (ICR) | | | | | | |
| Digital noise reduction | 2D/3D DNR | | | | | | |
| S/N | >52dB | | | | | | |
| IR Range | Up to 50m (164ft) IR range | | | | | | |
| Defog | Digital Defog | | | | | | |
| WDR | 120dB | | | | | | |
| Video Compression | Ultra 265, H.265, H.264, MJPEG | | | | | | |
| H.264 code profile | Baseline profile, Main Profile, High Profile | | | | | | |
| Frame Rate | Main Stream: 2MP (1920*1080), Max 30fps; | | | | | | |
| | Sub Stream: 2MP (1920*1080), Max 30fps; | | | | | | |
| | Third Stream: D1 (720*576), Max 30fps | | | | | | |
| 9:16 Corridor Mode | Supported | | | | | | |
| HLC | Supported | | | | | | |
| BLC | Supported | | | | | | |
| Audio Compression | 6.711 | | | | | | |
| Two-way audio | Supported | | | | | | |
| Suppression | Supported | | | | | | |
| Sampling Rate | 8KHZ | | | | | | |
| Edge Storage | Micro SD, up to 256GB | | | | | | |
| Network Storage | ANR | | | | | | |
| Protocols | IPv4, IGMP, ICMP, ARP, TCP, UDP, DHCP, PPPoE, RTP, RTSP, RTCP, DNS, DDNS, NTP, FTP, UPnP, HTTP, HTTPS, SMTP, 802.1x, SNMP, QoS | | | | | | |
| Compatible Integration | ONVIF(Profile S, Profile G, Profile T), API | | | | | | |
| Audio I/O | Audio cable Input: impedance 35kΩ; amplitude 2V [p-p] Output: impedance 600Ω; amplitude 2V [p-p] | | | | | | |
| Alarm I/O | 1/1 | | | | | | |
| Network | 1 RJ45 10M/100M Base-TX Ethernet | | | | | | |
| Power | DC 12V±25%, PoE (IEEE 802.3af) Power consumption: Max 9W | | | | | | |
| Dimensions (L x W x H) | 253.4 x 86 x 71.7mm (9.98" x 3.4" x 2.8") | | | | | | |
| Weight | 1.0kg (2.2lb) | | | | | | |
| Working Environment | -35°C ~ 60°C (-31°F ~ 140°F), Humidity: ≤95% RH (non-condensing) | | | | | | |
| Ingress Protection | IP67 | | | | | | |

Dimensions



۲۰